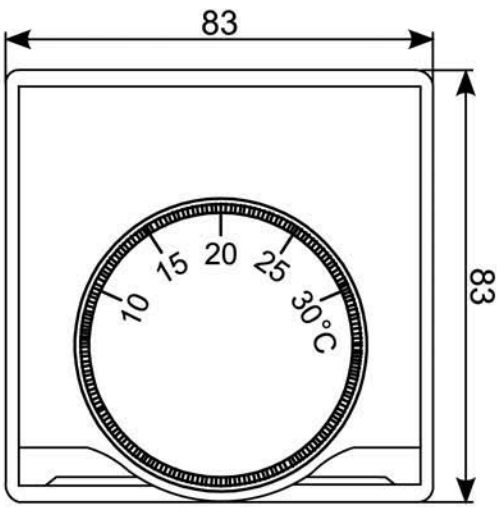



ROOM THERMOSTAT RA (TR-010)
DIMENSIONS

GENERAL INFORMATION

RA room thermostat is designed to provide automatic ON/OFF control in heating/cooling installations.

TECHNICAL DATA

Temperature setting range	+10...+30°C
Operating temperature range	0...+40°C
IP / Isolation class	IP30
Maximum inductive load	3 A
Maximum resistance load	16 A
Mounting	On wall
Terminals	Up to 2,5mm ²

WIRING DIAGRAMS
