



## ROOM CONTROLLERS FOR 2- PIPE SYSTEMS

DBTA-323

### FUNCTION

- 2-pipe systems (typically fan coil) control for room temperature applications with:
- knob for temperature setting
  - 1 relay output;
  - manual selection for On/Off, 3 motor speed, season change over (depending on models);
  - internal or remote temperature sensor (optional).

TYPE	ON/OFF	3- SPEED	LOCAL S/W	REMOTE S/W
DB-TA-323-435 (*)	•	•		•
DB-TA-323-199	•			
DB-TA-323-995				•
DB-TA-323-998			•	

#### On request:

optional 1 m cable remote sensor, selectable by jumper; ordering code: NTB010-623 (for DB-TA-323-435 -> NTA010-623).

(\*) for DB-TA-323-435 switch off/fan based on temp./continuous fan.

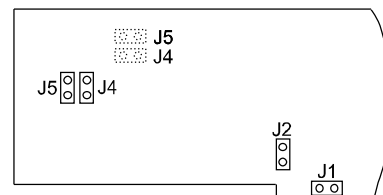
### TECHNICAL FEATURES

<b>Power supply:</b>	24/230 Vac ± 10%, 50/60 Hz
<b>Max load:</b>	6 A
<b>Output:</b>	1 SPDT relay 24/230 Vac 6 A
<b>Power cons.:</b>	1 W
<b>Sensor:</b>	thermoresistor NTC 100K (for DB-TA-323-435 -> NTC 10K)
<b>Setpoint:</b>	+5...+30 °C; mechanical limitation of the setpoint adjustment
<b>Differential:</b>	0.5 K
<b>Working:</b>	0...+40 °C 10...90% r.h. (non condensing)
<b>Storage:</b>	-20...+70 °C < 95 % r.h.
<b>Housing:</b>	ABS self-extinguished according to UL94 V-0 color (RAL 9010)
<b>Protection:</b>	IP30, class II
<b>Dimension:</b>	144 x 82 x 27 mm
<b>Weight:</b>	210 g

### JUMPER SETTING:

- J1 closed = internal sensor
- J2 closed = remote sensor
- J4 closed = power supply 24 Vac, 50/60 Hz
- J5 closed = power supply 230 Vac, 50/60 Hz

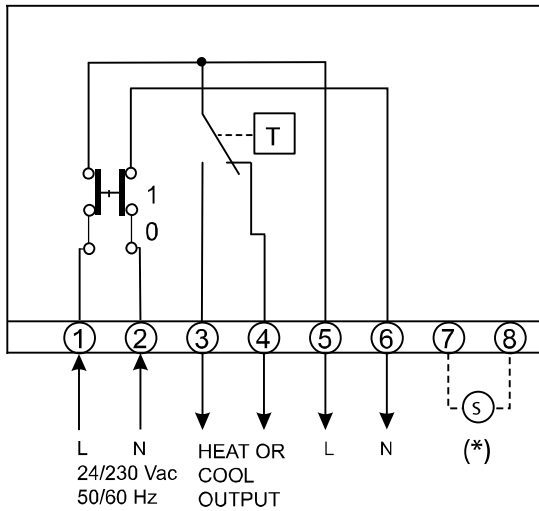
The products are factory supplied with internal sensor and 230 Vac jumper setting.



ELECTRICAL WIRING

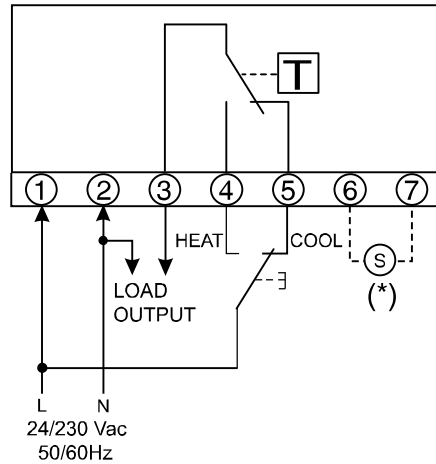
**DB-TA-323-199**

Terminal connections for heating or cooling systems: the On/Off switch provides power supply to terminals 5 and 6.



**DB-TA-323-995**

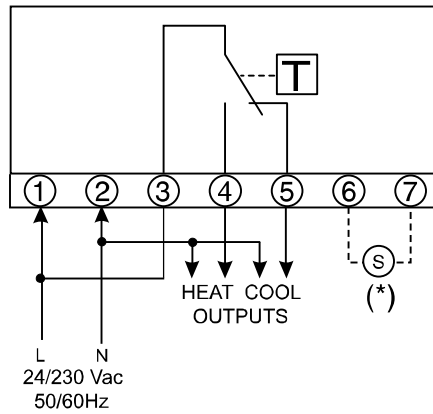
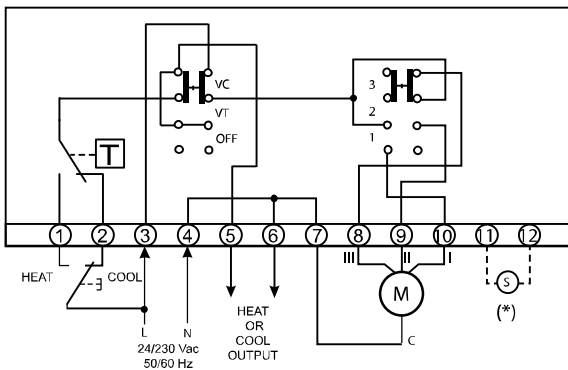
Terminal connections for systems with remote season change over.



Terminal connections for heating or cooling systems.

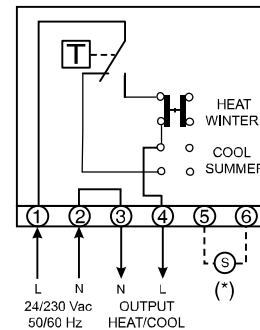
**DB-TA-323-435**

Terminal connections for heating or cooling systems, with 3 motor speed fan coils. Provided for remote season change over.



**DB-TA-323-998**

Electrical wiring for heating and cooling systems



(\*) remote sensor (optional, see page before)

