

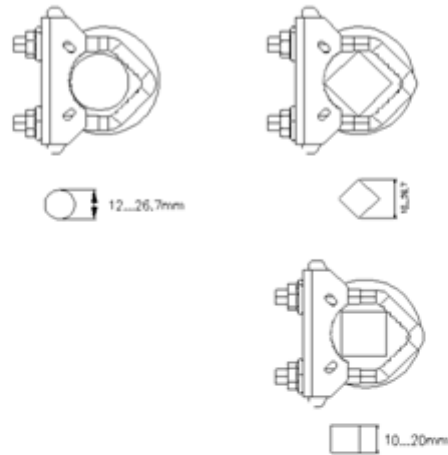
Specifications

**S8081-10/20 Nm Series
Modulating Damper Actuators**

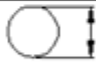



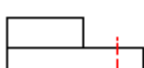
Summary

S8081-10/20 Nm series modulating damper actuators
Are designed specifically for applications in the HVAC
and light industrial markets.

Dimensions:

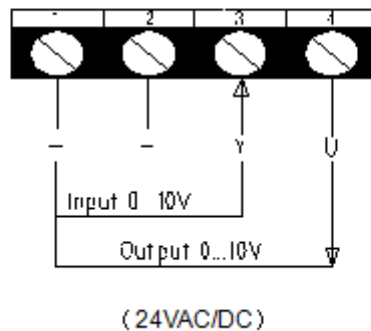


Unit: mm

Throttle Axis	Length			
	≥42	12.....26.7	≥10	≤26.7
	≥20	12.....26.7	≥10	≤26.7

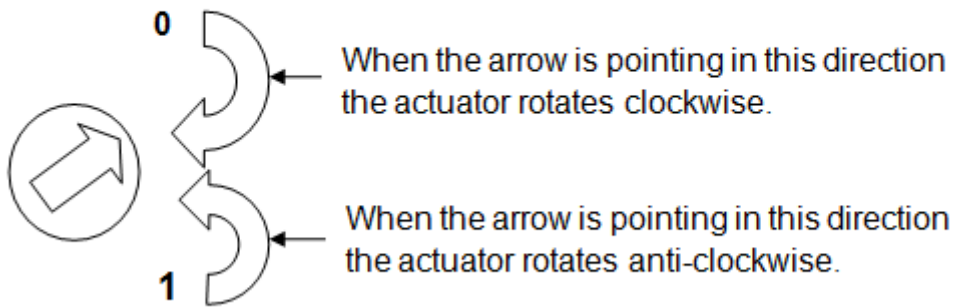
Wiring Diagram:

The damper actuator can be operated between 0(2) ... 10V.



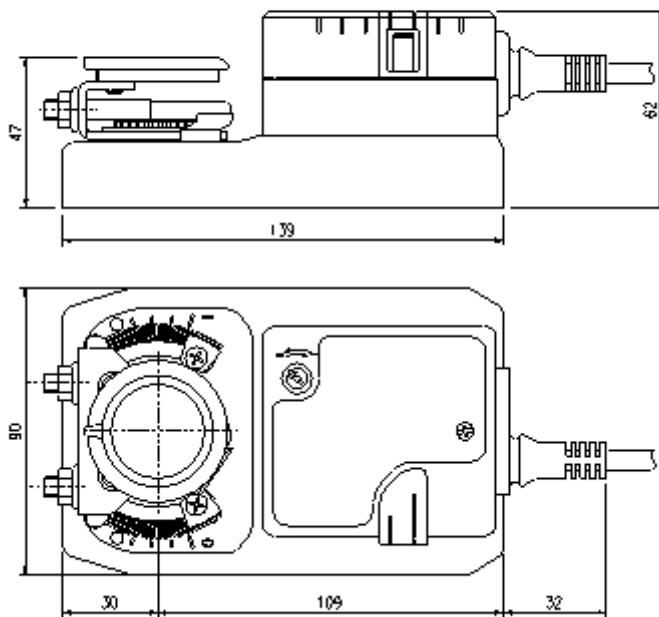
Control Signal and Rotation Angle:

Damper actuator's rotate direction alters with the change of the pin's direction.



Mounting Dimensions:

24V Dimension



Spexification:

Item	Unit位	S8081-10A	S8081-20A
Torque	Nm	10	20
Damper Area	m ²	2	4
Operating Time	sec	100	120
Power Supply	V	AC24 ; DC24	
Frequency	Hz	50/60 7.5W 50/60Hz	
Operating Power Consumption consumption ccococonsumption	W	2.5W	
Inactive Power Consumption	W	0.4W	
Wiring Size	VA	6.5	
Weight	Kg	0.9	
Control Signal		0(2)...10V	
Rotation Angle		0~90°	
Limit Angle		5~85° (5° per step)	
Life Cycle		60, 000 rotation	
Sound Level		45dB(A)	
Protection Level		II	
IP Protection		IP54	
Operating Temperature		-20~+50°C	
Ambient Humidity		5~95%RH	
Storage Temperature		-40~+70°C	
Certificate		CE	