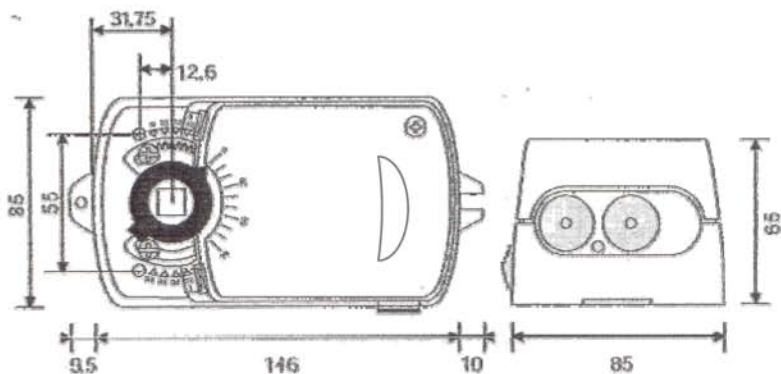
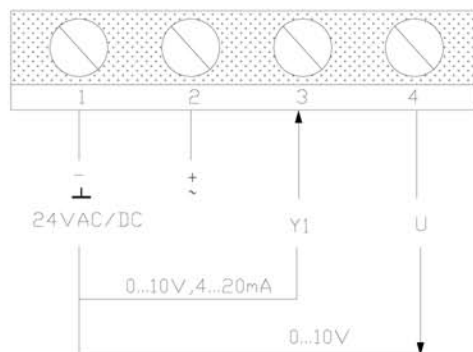


S6061-04AN Rotary Damper Actuator


This compact, non-spring return actuator has a 4Nm running torque in a compact easy-to-install package. It has a nominal 35-second travel time for 90° of rotation.

Mounting dimensions

Wiring diagram

Specifications

Model	S6061-04AN
Torque	4Nm
Damper area	1m ²
Running Time	35s
Power supply	24VAC/DC, 4~20mA
Frequency	50/60Hz
Power consumption	Operating: 2.5W
	At the end stops: 0.85W
Wiring size	4.1VA
Shipping weight	0.9Kg
Control signal	0~10 VDC / 4-20mA
Rotation angle	0~90°
Limit angle	5~85°(5°increment)
Life cycle	60,000 cycles
Noise level	45dB(A)
Protection class	II
IP protection	IP42or IP44
Ambient	-20~+50°C
Ambient humidity	5~95%RH
Storage	-40~+70°C
Certificate	CE and ISO9000