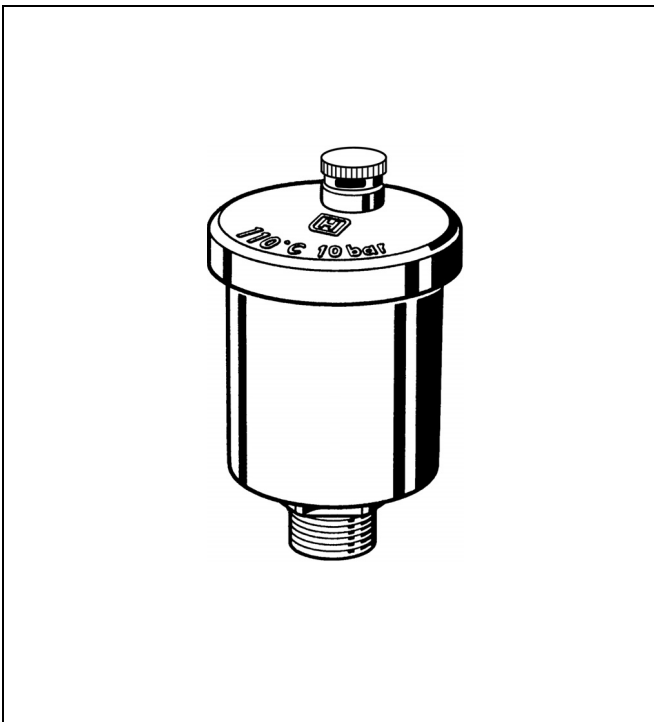


## E121 Automatic Air Vent

### PRODUCT DATA



### Application

The E121 Air Vent is a reliable automatic venting device and is suitable for venting of air or gas from heating systems or heat process installations.

### Features

- With the Z121 A shutoff valve fitted, cleaning or replacement of the seal and inner components can be carried out without draining the system.

### Range of Application

Hot water heating systems, radiators, wall and ceiling mounted air heaters, air collection vessels, pipework circuits, boilers and air separators

Not suitable for mineral oil or liquids with mineral-oil-based additives.

### Specifications

<b>Operating temperature</b>	max. 110°C (240°F)
<b>Operating pressure</b>	max. 10 bar (150 psi)
<b>Connection size</b>	R 3/8" and R 1/2"

### Design

The automatic air vent comprises:

- Lid
- Red bronze housing
- Float
- Valve seat seals

### Materials

- Brass housing
- Brass lid
- High grade, heat-resistant synthetic material float
- Heat-resistant elastomer seal components

## Dimensions

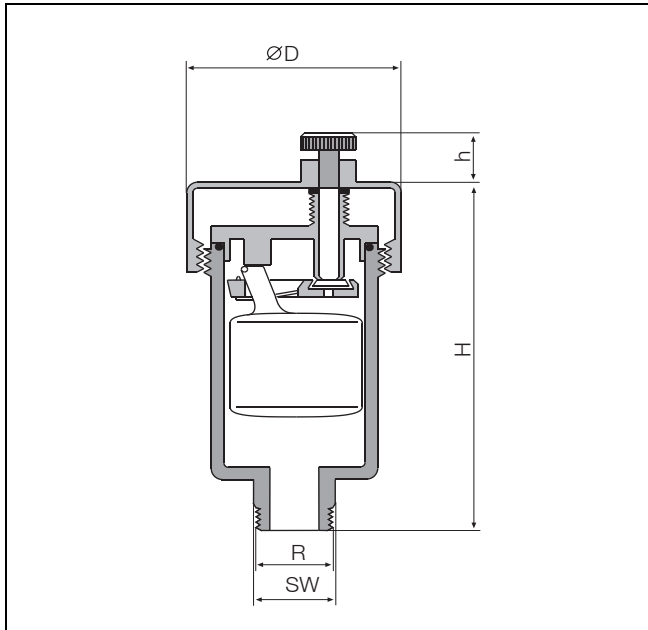


Fig. 1. Dimensions

## Function

Inside the automatic air vent there is a float which operates a lever according to the water level. When there is no water in the housing, then the float opens the valve. Air can therefore be vented from the heating system during filling. When the heating system has been filled, the inflowing water closes the valve and the vent is shut off. Water usually contains oxygen which bubbles off during operation of the system and collects at the highest point. The automatic air vent must therefore be fitted at the air collection position (highest point on a boiler or pipework circuit).

## Options

E121...A = Standard version

└ Connection size

Table 1. Dimensions and Ordering Specifications (Os-Nos.)

Connection size	Dimensions				OS-No.
	R	H	h	D	
3/8"	64	15	47	22	E121-3/8A
1/2"	64	15	47	22	E121-1/2A

## Accessories

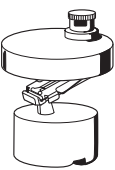
### Shutoff valve



Packing unit 12 pcs,  
for connection size R3/8" Z121-3/8A

Packing unit 12 pcs,  
for connection size R1/2" Z121-1/2A

### Air vent cap with float



Packing unit 54 pcs,  
threaded connection 44x19,  
min. installation depth for float  
46mm X121-AA

## Environmental and Combustion Control

Honeywell GmbH  
Hardhofweg  
74821 Mosbach, Germany  
Phone: +49 (6261) 810  
Fax: +49 (6261) 81393  
www.honeywell.com

EN0H-2703GE25 R0409  
April 2009  
© 2009 Honeywell International Inc.  
Subject to change without notice  
Manufactured for and on behalf of the Environmental and Combustion  
Controls Division of Honeywell Technologies Sàrl, Rolle, Z.A. La  
Pièce 16, Switzerland or its authorized representative.

# Honeywell