

# SBV SERIES MOTORIZED BALL VALVE BODY

## DESCRIPTION

SBV series ball valve bodies have four types, SBV01 and SBV05 are full port ball valve bodies, SBV02 and SBV05 are characterized ball valve body. The sizes involve DN15, DN20, DN25, DN32, DN40 and DN50. The sealing material of valve seat is made of PTFE, which ensures of high close-off pressure of valve body and excellent sealing feature. The valve bodies are matched with SBA03 and SBA04 series actuators accordingly.

ACTUATOR APPLICATION	VALVE SIZE	ACTUATOR CONNECTION
SBA03	DN15, DN 20, DN 25	Bolt
SBA04	DN32, DN 40, DN 50	Bolt



## MODEL SELECTION

SBV XX X X XX XXX

PRODUCT CODE

Ball valve body

SERIES

01--Full port forged brass valve

02--Characterized opening forged brass valve

05--Full port stainless steel valve

06--Characterized opening stainless steel valve

CONNECTION

G--BSP N--NPSC

Kv

120--Kv 12 040--Kv 4

SIZE(mm)

15--DN15 (1/2") 20--DN20 (3/4")

25--DN25 (1") 32--DN40 (1 1/4")

40--DN40 (1 1/2") 50--DN50 (2")

TYPE

2--2 Way 3--3 Way

## TECHNICAL DATA

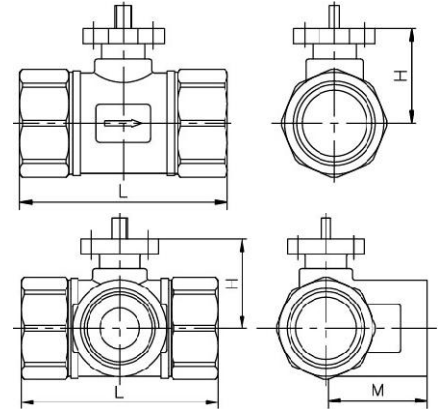
MODEL		TYPE	Kv	Cv	THREAD	CLOSE OFF PRES. (MPa)	RATED BODY PRES. (MPa)
SBV01G215120	SBV05G215120	2-way	12	14	G1/2	0.6	2.5
SBV02G215040	SBV06G215040		4	4.7			
SBV01G220150	SBV05G220150		15	17.5	G3/4		
SBV02G220063	SBV06G220063		6.3	7.4			
SBV01G225220	SBV05G225220		22	25	G1		
SBV02G225100	SBV06G225100		10	11.7			
SBV01G232310	SBV05G232310		31	36.3	G1 1/4		
SBV02G232160	SBV06G232160		16	18.7			
SBV01G240330	SBV05G240330		33	38.6	G1 1/2		
SBV02G240250	SBV06G240250		25	29.3			
SBV01G250500	SBV05G250500		50	58.5	G2		
SBV02G250400	SBV06G250400		40	46.8			
SBV01G315120	SBV05G315120	3-way	12	14	G1/2		
SBV02G315040	SBV06G315040		4	4.7			
SBV01G320150	SBV05G320150		15	17.5	G3/4		
SBV02G320063	SBV06G320063		6.3	7.4			
SBV01G325220	SBV05G325220		22	25	G1		
SBV02G325100	SBV06G325100		10	11.7			
SBV01G332310	SBV05G332310		31	36.3	G1 1/4		
SBV02G332160	SBV06G332160		16	18.7			
SBV01G340330	SBV05G340330		33	38.6	G1 1/2		
SBV02G340250	SBV06G340250		25	29.3			
SBV01G350500	SBV05G350500		50	58.5	G2		
SBV02G350400	SBV06G350400		40	46.8			

# MATERIAL

<b>MATERIAL</b>	<b>BODY</b>	Forged brass / Precision casting stainless steel
	<b>BALL</b>	304 Stainless steel
	<b>SEAT</b>	PTFE (Poly tetrae fluoro ethylene) and graphite
	<b>STEM</b>	304 Stainless steel
	<b>O-RING</b>	EPDM
<b>WORKING MEDIA</b>		Chilled/hot water or 50% glycol
<b>MEDIA TEMPERATURE</b>		-10°C~120°C

# DIMENSIONS (MM)

SIZE (mm)	DIMENSION (mm)				THREAD (G)	MAX. PIPE THREAD SIZE (mm)
	L		H	M		
	2-way	3-way				
15	68	68	32	33	G1/2	13
20	68	68	32	35	G3/4	13
25	84	84	37	44	G1	17
32	98	98	48	50	G1 1/4	19
40	98	105	48	50	G1 1/2	19
50	122	123	52	62	G2	29



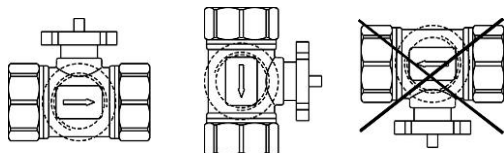
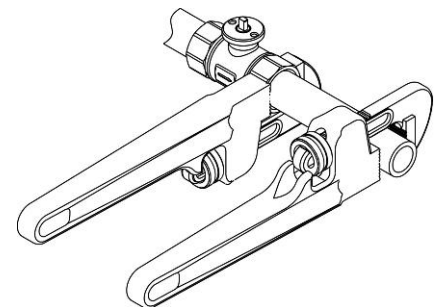
# FLOW DIRECTION

DN15-25 valves are matched with SBA03 actuator. DN32-50 valves are matched with SBA04 actuator. Please notice there is a mark "T" on the top of valve stem. The position of mark "T" indicates flow direction.

APPLICATION	2-WAY		3-WAY MIXING		3-WAY DIVERTED	
FLOW DIRECTION						
"T" POSITION						
ACTUATOR	CLOSE WHEN ROTATE TO 0°	OPEN WHEN ROTATE TO 90°	CLOSE WHEN ROTATE TO 0°	OPEN WHEN ROTATE TO 90°	CLOSE WHEN ROTATE TO 0°	OPEN WHEN ROTATE TO 90°

# INSTALLATION & ADJUSTMENT

- To avoid valve breaking or unscrew the end pieces, please operate the spanners on the same side of the valve body during the installation (as the figure on the right).
- Because the valve can be installed on the pipe without the actuator, the adjustment can be processed after the actuator is assembled on the valve. The installation of the actuator is very easy, no tools request. Please see the details on Installation Indication.
- The ball valve can be installed horizontally or vertically. THE ACTUATOR MUST BE INSTALLED ABOVE THE VALVE BODY.



D07	D06	D05	D03
160505	121205	110531	090624