



ROOM CONTROLLERS FOR 2- OR 4- PIPE FAN COILS

DBTA-393

FUNCTION

2- pipe fan coil with 3- speed motor fan control for room temperature applications with:

- manual selection of thermostatic fan/continuous fan/Off,
- 3 motor speed and season change over;

- room temperature visualisation with display;
- setpoint selection by step of 0.5 °C on display;
- internal or remote temperature sensor (optional).

TYPE	VT/VC/OFF	3- SPEED	LOCAL S/W
DBTA-393-433	•	•	•

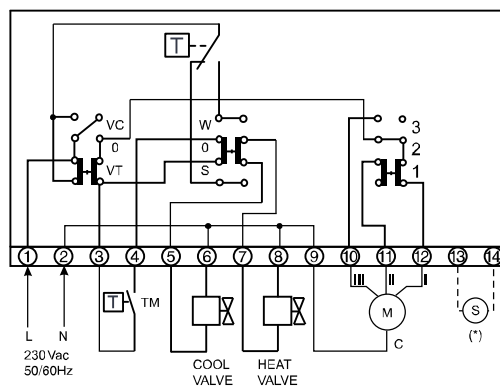
On request:

optional remote 1 m cable sensor, selectable by jumper; ordering code: NTA010-623.

TECHNICAL FEATURES

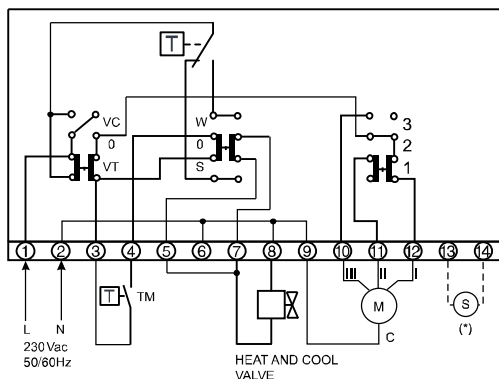
Power supply:	230 Vac ± 10%, 50/60 Hz
Max load:	6 A
Output:	1 relay SPDT 230 Vac 6 A
Power cons.:	1 W
Sensor:	NTC 10K
Range:	0...+40 °C
Setpoint:	+5...+30 °C adjustment by step of 0.5 °C.
Differential:	0.5 °C
Display:	resolution 0.1 °C
Working:	0...+40 °C
Storage:	10...90% r.h. (non condensing) -20...+70 °C < 95 % r.h.
Housing:	ABS self-extinguished according to UL94 V-0 color (RAL 9010)
Protection:	IP30, class II
Size:	144 x 82 x 27 mm
Weight:	220 g

Terminal connections for 4- pipe air conditioning and heating systems.



ELECTRICAL WIRING

Terminal connections for 2-pipe air conditioning and heating systems.



- (*) optional remote sensor
- TM minimum thermostat

Jumper setting:

- J1 closed = internal sensor
- J1 opened = remote sensor

The products are factory supplied with internal sensor.

