

# Flame Detectors

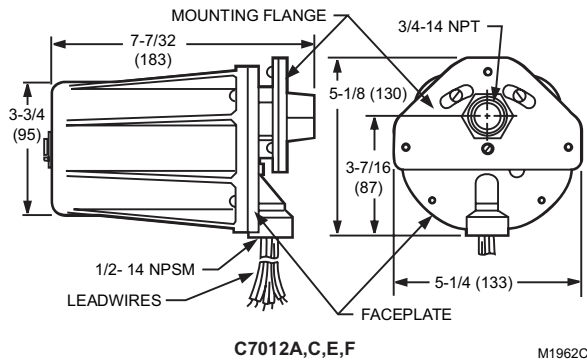
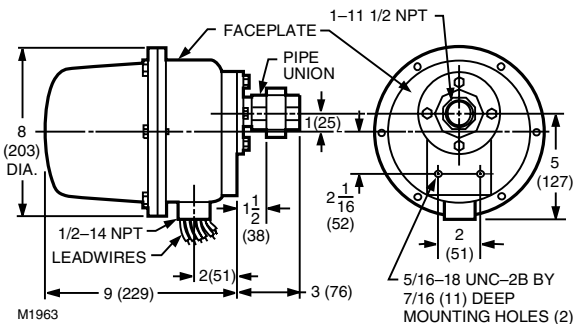
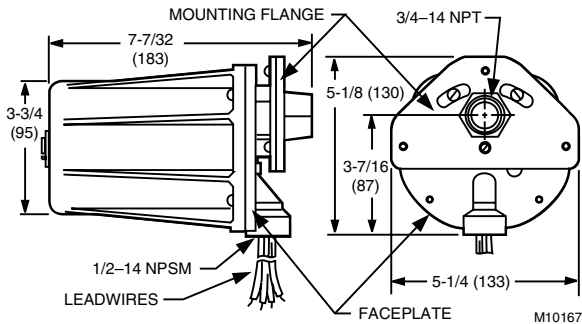
## C7061 Dynamic Self-Check Ultraviolet Flame Detector



**Dynamic self-checking flame detector used with R7861 Dynamic Self-check Amplifiers for sensing the ultraviolet radiation generated by the combustion of gas, oil, or other fuels.**

- Oscillating shutter interrupts ultraviolet radiation reaching the UV sensor 12 times per minute to provide the UV sensor tube checking function.
- Amplifier circuitry components are checked from the microprocessor in the 7800 SERIES Control.
- Can be mounted horizontally, vertically or at any angle in between.
- The detector requires faceplate alignment and has integral locating reference points to assure proper operation of the shutter mechanism.
- Field replaceable ultraviolet radiation sensing tube and quartz viewing window.
- Treaded conduit fitting and color-coded leadwires allow rapid electrical installation.
- Two detectors can be wired in parallel to reduce nuisance shutdowns in difficult flame sighting applications.
- Incorporates UV sensor tube checking feature; used with R7861 Dynamic Self-check Amplifiers.
- Housing meets NEMA 4 enclosure standards.
- Protective heat block built into mounting flange.
- Swivel mount is available to facilitate flame sighting.
- -40 F (-40 C) rated ultraviolet sensing tube is available.

### Dimensions Diagram



**Description:** Ultraviolet Flame Detector

**Application:** Gas fired burners; Oil fired burners

**Dimensions, Approximate:** 5 1/4 in. diameter (includes mounting flange) x 7 7/32 in. long (133 mm diameter (includes mounting flange) x 183 mm long)

**Frequency:** 50 Hz; 60 Hz

**Ambient Temperature Range:** -40 F to +175 F (-40 C to +79 C)

**Comments:** Dynamic self-checking flame detector

**Weight:** 2.6 lb (1.2 kg)

**Used With:** Flame Amplifiers: R7861

**Approvals:**

**Canadian Standards Association:** Certified: Master Report LR95329-1

**Factory Mutual:** Approved: Report No. 14740.01

**Industrial Risk Insurers:** Acceptable

**Underwriters Laboratories, Inc.** Listed: File No. MP268, Guide No. MCCZ

Product Number	Electrical Connections	Lead Length		Mounting	NEMA Rating	Electrical Ratings
		(inch)	(mm)			
C7061A1012	Color-coded lead wires	96 in.	2438 mm	3/4 in. NPT	NEMA 4	120 Vac
C7061A1020	Color-coded lead wires	96 in.	2438 mm	3/4 in. NPT	NEMA 4	120 or 230 Vac
C7061A1038	Brad Harrison type number 41310 connector	—	—	3/4 in. NPT	NEMA 4	120 Vac
C7061A1046	Brad Harrison type number 41310 connector	—	—	1 in. NPT	NEMA 4	120 Vac
C7061F2001	Color-coded lead wires	96 in.	2438 mm	1 in. NPT	Explosion Proof	120 Vac