

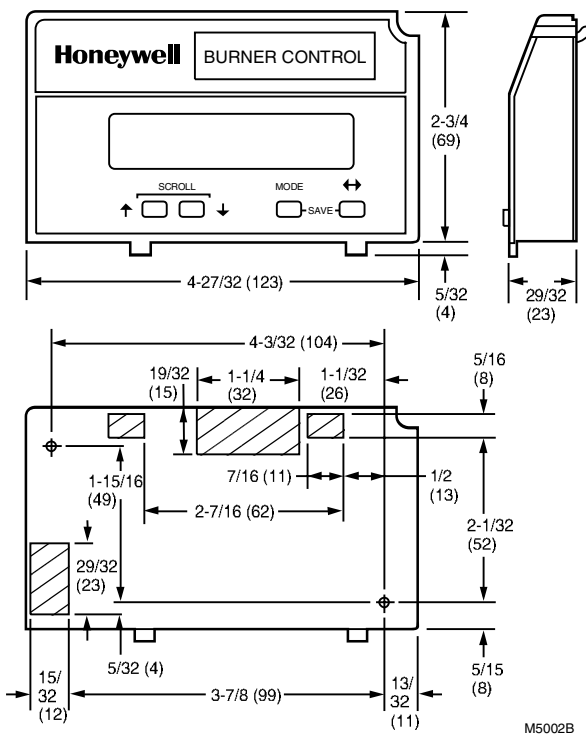
S7800 Keyboard Display Module



Provides current status of burner sequence, timing information, hold information and lockout information, as well as selectable or preemptive messages.

- Application flexibility.
- Communication interface capability with Switchover to ModBus programmable.
- First-out annunciation and system diagnostics provided by 2 row by 20 column Vacuum Fluorescent Display (VFD).
- S7800A1001 offers "Call Service" (Business Card) programmable message displayed when system lockout occurs.
- S7800A1001 series 5 and greater has selectable ModBus Feature.
- Local or remote annunciation of operation and fault information.
- First out expanded annunciation with 24 limit and interlock LEDs enhances keyboard display module information. Display can be Programmed to customize the expanded annunciator messages to the system. Provides burner controller data.
- Remote reset.
- Report generation.

Dimensions Diagram



Application: Keyboard Display

Ambient Temperature Range: -40 F to +140 F (-40 C to +60 C)

Vibration: 0.5 G environment

Weight: 4 oz (0.11 kg)

Approvals:

Canadian Standards Association: Certified, File No. LR95329-3.

Federal Communications Commission: FCC Part 15, Class B, Emissions.

Factory Mutual: Report No. J.I.1V9AO.AF.

Industrial Risk Insurers: IRI Acceptable

Underwriters Laboratories, Inc. Component Recognized, File No. MP268; Guide No. MCCZ.

Product Number	Voltage	Comments
S7800A1001	13 Vdc peak fullwave rectified (+20/-15%).	English Language
S7800A1035	13 Vdc peak fullwave rectified (+20/-15%).	French Language
S7800A1043	13 Vdc peak fullwave rectified (+20/-15%).	German Language
S7800A1050	13 Vdc peak fullwave rectified (+20/-15%).	Italian Language
S7800A1068	13 Vdc peak fullwave rectified (+20/-15%).	Spanish Language
S7800A1118	13 Vdc peak fullwave rectified (+20/-15%).	Japanese Language
S7800A1126	13 Vdc peak fullwave rectified (+20/-15%).	Portuguese Language