

Temperature Controllers

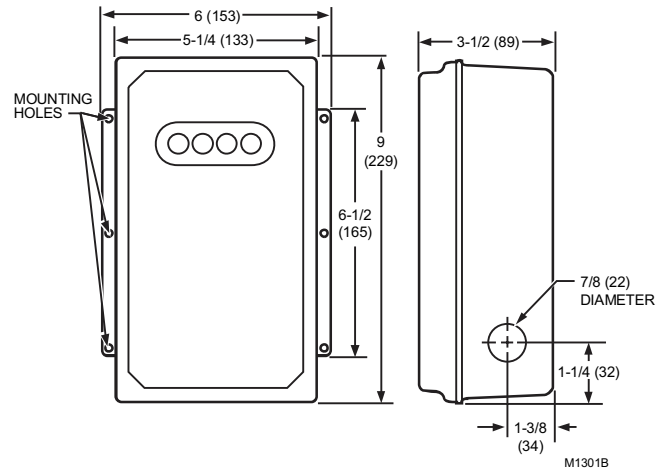
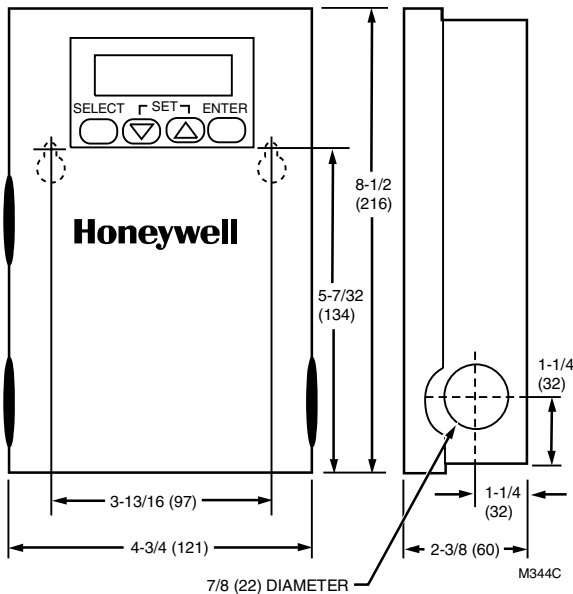
T775 Electronic Remote Temperature Controllers



- Available with one or two temperature inputs and up to four SPDT relay output stages or modulating (electronic Series 90, 4-20 mA or 0-18 Vdc) outputs.
- Typical applications include:-on/off control of fans, motors and heaters.-proportional and floating control of damper and valve actuators.-outdoor reset of heating and cooling systems.
- Electronic control accuracy.
- Linear platinum temperature sensor. LCD display indicates mode and output status; jumper switch provides field selection of F or C display.
- Keypad allows precise temperature selection; easy one-finger programming.
- Remote sensing from up to 1000 ft. (304m).
- Wide temperature setting range.
- Adjustable differential and throttling range.
- Heating and cooling stages independently programmable.
- Available with NEMA 4X enclosure.
- Optional No. 203531A Panel Mounting Kit allows mounting in an electrical panel.
- Available Application Guide, form no. 63-1197, offer answers to common application questions.

The T775 family of electronic remote temperature controllers provide on/off, modulating, or reset control in applications where electronic accuracy in addition to remote sensing is desired.

Dimensions Diagram



Type: Electronic remote bulb

Application: On/off control for applications where electronic accuracy and remote sensing is required

Bulb Size: 3/8 in. diameter x 2 5/8 in. long (9.5 mm diameter x 67 mm long)

Accuracy: ± 1 F at 77 F (± 0.5 C at 25 C)

Setpoint Temperature Range: -40 F to +220 F (-40 C to +105 C)

Differential Temperature: 1 F to 35 F (0.6 C to 19 C)

Sensor Element: Platinum Sensor

Maximum distance to sensor: up to 1000 ft. (up to 304 m)

Contact Ratings (24 Vac): 10.0A resistive

Contact Ratings (120 Vac): 9.8 AFL, 58.8 ALR, 125 VA Pilot Duty

Contact Ratings (240 Vac): 4.9 AFL, 29.4 ALR, 125 VA Pilot Duty

Voltage: 24 Vac or 120 Vac or 240 Vac

Frequency: 50 Hz; 60 Hz

Approvals:

Canadian Standards Association: Certified: File No. LR95329
Underwriters Laboratories, Inc. File E4436, Vol. 19, Sec. 1, Guide XAPX

Replacement Parts:

193987GA Encapsulated platinum sensing element used with the T7075 and T775. 2 5/8 in long, 3/8 in diameter, 6 in. leads.

198212CA Encapsulated platinum sensing element used with the T7075 and T775. Water resistant, 60 in. leads.

107324A Capillary Holder Assembly for duct insertion, 8 3/8 in. long

203401B Encapsulated platinum PT3000 sensing element used with the T7075 and T775. Water tight, 20 in. leads, requires 1/2 in. diameter well.

121371A Copper. Bulb size: 3/8 in. x 3 in. (10 mm x 76 mm). Well size: 3 in. (76 mm) insertion, 1 1/2 in. NPT. Includes mounting clamp.

Temperature Controllers

Product Number	Operating Temperature Range		Analog Output	Output	Output Type	Number of Sensors	Includes	Comments
	(F)	(C)						
T775A1001	-40 F to +140 F	-40 C to +60 C	—	1 Spdt	relay	1	193987GA	—
T775A1019	-40 F to +140 F	-40 C to +60 C	—	2 Spdt	relay	1	193987GA	—
T775A1027	-40 F to +125 F	-40 C to +52 C	—	3 spdt	relay	1	193987GA	—
T775A1035	-40 F to +125 F	-40 C to +52 C	—	4 spdt	relay	1	193987GA	—
T775B1000	-40 F to +140 F	-40 C to +60 C	—	2 Spdt	relay	2	193987GA	—
T775B1018	-40 F to +125 F	-40 C to +52 C	—	3 spdt	relay	2	193987GA	—
T775B1026	-40 F to +125 F	-40 C to +52 C	—	4 spdt	relay	2	193987GA	—
T775C1009	-40 F to +125 F	-40 C to +52 C	—	4 spdt	relay	1	198212CA	NEMA 4X Enclosure
T775D1008	-40 F to +125 F	-40 C to +52 C	—	4 spdt	relay	2	198212CA	NEMA 4X Enclosure
T775E1015	-40 F to +140 F	-40 C to +60 C	Electronic Series 90	1 Spdt	analog and relay	1	193987GA	—
T775E1023	-40 F to +140 F	-40 C to +60 C	Electronic Series 90	2 Spdt	analog and relay	1	193987GA	—
T775E1056	-40 F to +140 F	-40 C to +60 C	4-20 mA	1 Spdt	analog and relay	1	193987GA	—
T775E1064	-40 F to +140 F	-40 C to +60 C	4-20 mA	2 Spdt	analog and relay	1	193987GA	—
T775E1098	-40 F to +140 F	-40 C to +60 C	0-18 Vdc	1 Spdt	analog and relay	1	193987GA	—
* T775E1114	-40 F to +125 F	-40 C to +52 C	0-18 Vdc	3 spdt	analog and relay	1	193987GA	—
T775F1022	-40 F to +125 F	-40 C to +52 C	Electronic Series 90	3 spdt	analog and relay	2	193987GA (2)	—
T775F1055	-40 F to +125 F	-40 C to +52 C	4-20 mA	3 spdt	analog and relay	2	193987GA (2)	—
T775F1089	-40 F to +125 F	-40 C to +52 C	0-18 Vdc	3 spdt	analog and relay	2	193987GA (2)	—
T775G1005	-40 F to +125 F	-40 C to +52 C	Electronic Series 90	3 spdt	analog and relay	1	198212CA	NEMA 4X Enclosure
T775G1013	-40 F to +125 F	-40 C to +52 C	4-20 mA	3 spdt	analog and relay	1	198212CA	NEMA 4X Enclosure
T775G1021	-40 F to +125 F	-40 C to +52 C	0-18 Vdc	3 spdt	analog and relay	1	198212CA	NEMA 4X Enclosure
T775J1001	-40 F to +140 F	-40 C to +60 C	—	1 Spdt	relay w/ RESET	2	193987GA (2)	—
T775J1019	-40 F to +140 F	-40 C to +60 C	Electronic Series 90	—	analog with RESET	2	193987GA (2)	—
T775J1027	-40 F to +140 F	-40 C to +60 C	4-20 mA	—	analog with RESET	2	193987GA (2)	—
T775J1035	-40 F to +140 F	-40 C to +60 C	0-18 Vdc	—	analog with RESET	2	193987GA (2)	—
T775J1043	-40 F to +140 F	-40 C to +60 C	Electronic Series 90	1 Spdt	analog with RESET	2	193987GA (2)	—
T775J1050	-40 F to +140 F	-40 C to +60 C	4-20 mA	1 Spdt	analog with RESET	2	193987GA (2)	—
T775J1068	-40 F to +140 F	-40 C to +60 C	0-18 Vdc	1 Spdt	analog with RESET	2	193987GA (2)	—
T775J1076	-40 F to +140 F	-40 C to +60 C	—	2 Spdt	relay w/ RESET	2	193987GA (2)	—

* TRADELINE models • SUPER TRADELINE models